



Sink

KE

Sink - 1 bowl - FILOTOP Edge - for flush-mount (FT) or over-mount (FTS) installation

Code: 2155 050

Product Details

Materials/Finishes	Foster-brushed finish AISI 304 stainless steel
Cabinet	60 cm
Dimensions	540x440 mm
Edge/Installation Type	FILOTOP Edge - for flush-mount (FT) or over-mount (FTS) installation
Cut out	Vedi scheda tecnica
Number of bowls	1 bowl
Bowl dimension	500x400 mm
Waste fitting	3,5" waste
Mixer holes	No standard tap hole
Standard fittings	fixing brackets, gasket, waste fitting, overflow and siphon. Packing: single carton box.

Features



High thickness



Basket 3,5" waste fitting

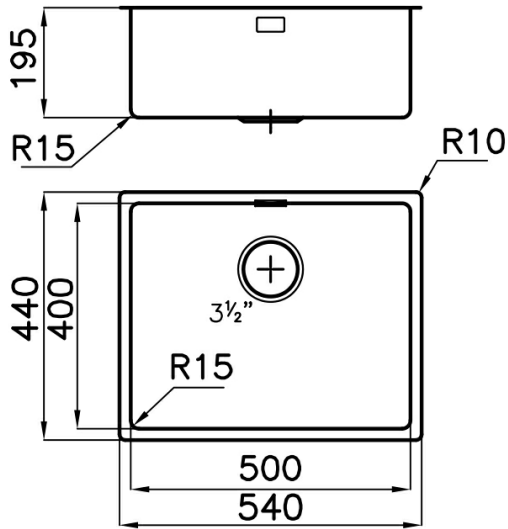


Perimetral overflow

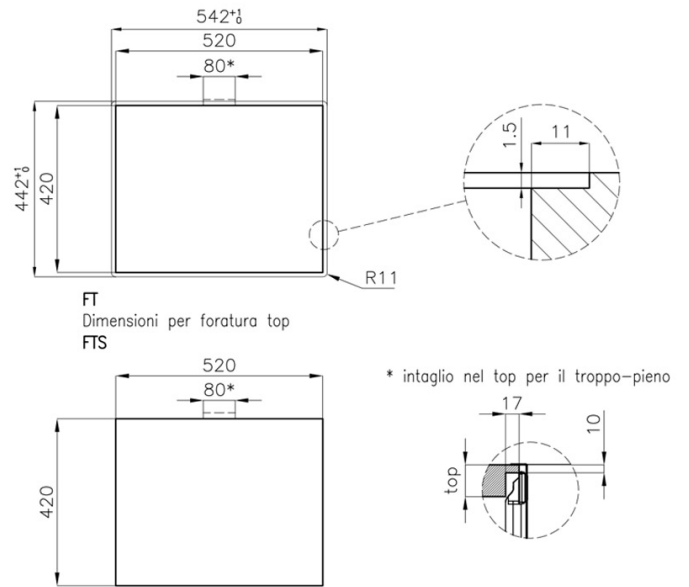


Small radius

Dimensions



Cut out drawing



Optional accessories



iroko-wood sliding chopping board
8644 041



iroko-wood twin chopping board
8644 004



glass chopping board 8631 300



hpde chopping board 8657 001



hpde twin chopping board
8644 101



iroko-wood chopping board with stainless steel colander
8644 042



graters kit with ring-holder and food collection tray 8159 101



white bowl 8153 100



cestello inox 8612 000



stainless steel plate rack 8100 154



stainless steel plate rack 8100 201



stainless steel plate rack 8100 303



stainless steel colander 8154 000



stainless steel perforated tray 8151 000

Optional automatic waste fittings



automatic waste
fitting 8407 113



space automatic
waste fitting 8407
108



space automatic
waste fitting 8407
109



space light automatic
waste fitting 8407 117



space milano
automatic waste
fitting 8407 115



space push automatic
waste fitting 8407 116
14-03-2019
10:03:42